

PHOENIX CONTACT M12 / M8 Connectors

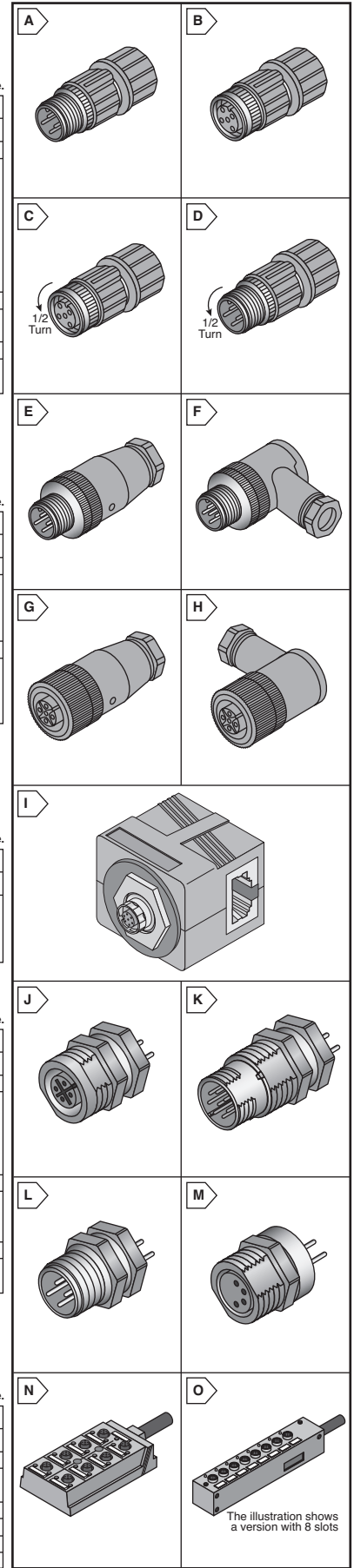


M12 / M8 QUICKON-ONE PLUG CONNECTORS

- Features:**
- QUICKON-ONE design allows rapid connector termination
 - No Individual Wire
 - IDC Wire Termination
- Specifications:**
- Current Rating: 4A
 - IP-Degree: IP67 (IEC 60529)
 - Voltage Rating: 125V AC

For quantities of 100 and up, call for quote.

MOUSER STOCK NO.		Fig.	Phoenix Contact Type	No. of Positions	Cable Diameter	Mating Thread Material	AWG Range	Type	Price Each		
Mfr.	Mfr. Part No.								1	10	25
M12 Quickon-One Plug Connector											
651—1641714		A	SACC-M12MS-4QO-0.34	4	3.5 - 6mm	Plastic	26-22	Male	11.52	10.61	10.12
651—1641691		A	SACC-M12MS-4QO-0.34-M	4	3.5 - 6mm	Metal	26-22	Male	11.92	10.97	10.48
651—1641769		A	SACC-M12MS-4QO-0.75	4	3.5 - 6mm	Plastic	22-18	Male	11.52	10.61	10.12
651—1641785		A	SACC-M12MS-4QO-0.75-M	4	3.5 - 6mm	Metal	22-18	Male	11.92	10.97	10.48
651—1641701		B	SACC-M12FS-4QO-0.34	4	3.5 - 6mm	Plastic	26-22	Female	11.52	10.61	10.12
651—1641688		B	SACC-M12FS-4QO-0.34-M	4	3.5 - 6mm	Metal	26-22	Female	11.92	10.97	10.48
651—1641756		B	SACC-M12FS-4QO-0.75	4	3.5 - 6mm	Plastic	22-18	Female	11.52	10.61	10.12
651—1641772		B	SACC-M12FS-4QO-0.75-M	4	3.5 - 6mm	Metal	22-18	Female	11.92	10.97	10.48
M12 SPEEDCON Quickon-One Plug Connector											
651—1521601		C	SACC-M12FS-4QO-0.75-M SCO	4	3.5 - 6mm	Metal	22-18	Female	11.23	10.34	9.87
651—1521591		D	SACC-M12MS-4QO-0.75-M SCO	4	3.5 - 6mm	Metal	22-18	Male	11.23	10.34	9.87
M8 Quickon-One Plug Connector											
651—1506752		A	SACC-M 8MS-3PCON	3	3 - 5mm	Metal	26-22	Male	16.75	15.42	14.72
651—1506778		B	SACC-M 8FS-3PCON	3	3 - 5mm	Metal	26-22	Female	16.21	14.92	14.25



M12 / M8 PLUG CONNECTORS

- Features:**
- Right Angle Versions can be swiveled
 - Metal Threaded Knurls
- Specifications:**
- Current Rating: 4A
 - IP-Degree: IP67 (IEC 60529)
 - Voltage Rating: 125V AC



RoHS Compliant

For quantities of 100 and up, call for quote.

MOUSER STOCK NO.		Fig.	Phoenix Contact Type	No. of Positions	Type Termination	Cable Diameter	Type	Price Each		
Mfr.	Mfr. Part No.							1	10	25
M12 Plug Connector										
651—1662528		E	SACC-M12MS-4CON-PG7-M	4	Screw	4 - 6mm	Straight Male	11.88	10.94	10.44
651—1681101		F	SACC-M12MR-4CON-PG7-M	4	Screw	4 - 6mm	R/A Male	11.88	10.94	10.44
651—1681127		G	SACC-M12FS-4CON-PG7-M	4	Screw	4 - 6mm	Straight Female	11.88	10.94	10.44
651—1681143		H	SACC-M12FR-4CON-PG7-M	4	Screw	4 - 6mm	R/A Female	11.88	10.94	10.44
M8 Plug Connector										
651—1681156		E	SACC-M8MS-3CON-M	3	Solder	3.5 - 5 mm	Straight Male	11.88	10.94	10.44
651—1501252		G	SACC-M8MS-3CON-M-SW	3	Screw	3.5 - 5 mm	Straight Male	14.57	13.41	12.80
651—1681172		E	SACC-M8FS-3CON-M	3	Solder	3.5 - 5 mm	Straight Female	11.88	10.94	10.44
651—1506888		G	SACC-M8FS-3CON-M-SW	3	Screw	3.5 - 5 mm	Straight Female	14.17	13.05	12.45

M12 CABINET FEEDTHROUGH

- Features:**
- Transition from M12 Field devices to RJ45 Devices inside control cabinet
 - 180° & 90° versions available
- Specifications:**
- IP-Degree: IP65/67
 - Cat5e Rated
 - Temperature range: -25°C to +85°C



For quantities of 100 and up, call for quote.

MOUSER STOCK NO.		Fig.	Phoenix Contact Type	No. of Positions	Coding	Mating Thread Material	Orientation	Price Each		
Mfr.	Mfr. Part No.							1	10	25
651—1657261		I	VS-BH-M12FSD-RJ45/90	4	A	Metal	90°	33.71	31.01	28.65
651—1657494		I	VS-BH-M12FSDRJ45/180	4	A	Metal	180°	33.71	31.01	28.65
651—1405057		I	VS-BHM12FS-8CON-RJ45	8	D	Metal	90°	43.74	40.27	39.03
651—1405060		I	VS-BHM12FS-8CON-RJ45	8	D	Metal	180°	43.74	40.27	39.03

PANEL MOUNT CONNECTORS

For quantities of 100 and up, call for quote.

MOUSER STOCK NO.		Fig.	Phoenix Contact Type	No. of Positions	Keying	Orientation	Price Each		
Mfr.	Mfr. Part No.						1	10	25
M12 - Speedcon - PCB									
651—1542761		J	SACC-DSI-FS-5CON-L180 SCO	5	A-standard	Straight Female	11.43	10.52	10.04
651—1543650		J	SACC-DSI-FSB-5CON-L180 SCO	5	B-inverse	Straight Female	11.43	10.52	10.04
651—1542774		J	SACC-DSI-FS-8CON-L180 SCO	8	A-standard	Straight Female	22.04	20.29	19.37
651—1542745		K	SACC-DSI-MS-5CON-L180 SCO	5	A-standard	Straight Male	11.43	10.52	10.04
651—1542758		K	SACC-DSI-MS-8CON-L180 SCO	8	A-standard	Straight Male	20.40	18.78	17.93
M8 - PCB									
651—1694334		L	SACC-DSI-M8MS-3CON-L180	3	---	Straight Male	10.32	9.50	9.07
651—1694363		M	SACC-DSI-M8FS-3CON-L182	3	---	Straight Female	11.86	10.75	10.42
651—1694376		M	SACC-DSI-M8FS-4CON-L183	4	---	Straight Female	8.85	8.15	7.78
M8 Receptacles with 0.5M Wire Leads									
651—1500350		-	SACC-E-M-8FS-3CON-M8/0.5	3	---	Female Panel	15.51	14.28	13.63
651—1500334		-	SACC-E-M-8MS-3CON-M8/0.5	3	---	Male Panel	13.47	12.40	11.84

SENSOR/ACTUATOR BOXES

The SACB sensor/actuator boxes set new standards in distributed field cabling when it comes to space. Ideal use of space is guaranteed by the extremely flat design. The boxes are offered in a variety of styles to accommodate any application.

For quantities of 10 and up, call for quote.

MOUSER STOCK NO.		Fig.	Phoenix Contact Type	No. of Slots	No. of Positions	Master Cable L (m)	Slot Type	With LED	Price Each	
Mfr.	Mfr. Part No.								1	5
M12 Boxes										
651—1680982		N	SACB-8/8-5.0PUR	8	4	5	Single-Occupied	-	129.43	119.16
651—1695171		N	SACB-8/8-L-10.0PUR	8	4	10	Single-Occupied	LED	183.23	168.69
M12 Sensor/Actuator Boxes with Connected Master Cable - Speedcon										
651—1517165		N	SACB-8/8-L-5.0PUR SCO	8	4	5	Single-Occupied	LED	135.87	125.09
M8 Sensor/Actuator Boxes										
651—1516072		O	SACB-10/3-L-5.0PUR M8	10	3	5	-	LED	176.53	162.52

The illustration shows a version with 8 slots



Phoenix Contact Circular Connectors